

PowerPort Dual/Single Mount Pedestal

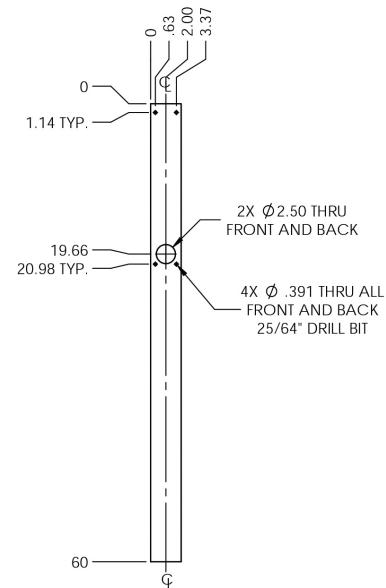
EVSE@nuvve.com | NUVVE.com

Rugged, sturdy design for outdoor use

The Nuvve PowerPort Dual/Single Mount Pedestal provides ultimate flexibility to secure your Nuvve PowerPort EVSE-B charging station outdoors. A base plate allows for sturdy installation and includes a 3.5" opening to allow power cable routing through the bottom of the pedestal to each EVSE. Choose between a single mount or dual mount option.

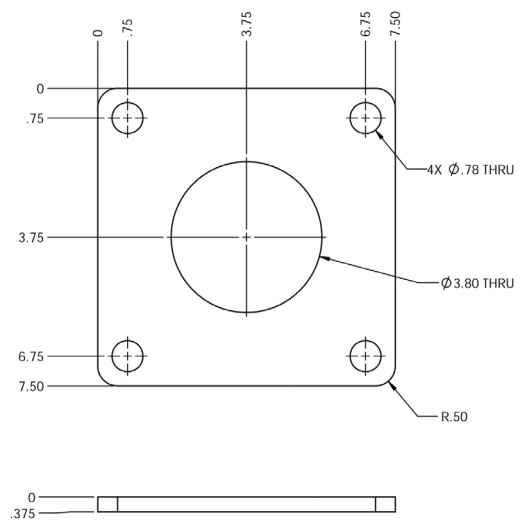
Specifications	
Material	304 Stainless Steel
Height	60.5"
Weight	58 lbs.
Color	Silver (stainless steel)
Compatibility	Nuvve PowerPort EVSE-B

Installation	
Base Plate	3.5" hole in base plate
Hardware	(4) anchor bolts required for base



Dual Mount

Single Mount



All product specifications as of September 2019.
Please contact Nuvve for updated information.