

PowerPort Communications Configuration

4GLTE-Wi-Fi Wireless Internet Standard Equipment

Nuvve can provide an independent 4GLTE cellular connection for the Nuvve PowerPort to communicate with the GIVE™ software platform via the internet. The communication equipment has both ethernet and Wi-Fi options. Below are pictures of a typical 4GLTE cellular modem configuration. In general, this enclosure with built-in standard 120V outlet, along with a cellular modem, and multiple port network switch are required.

Electrical Installation Requirements

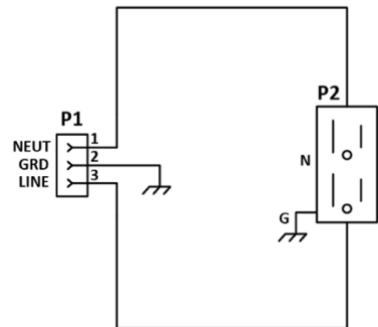
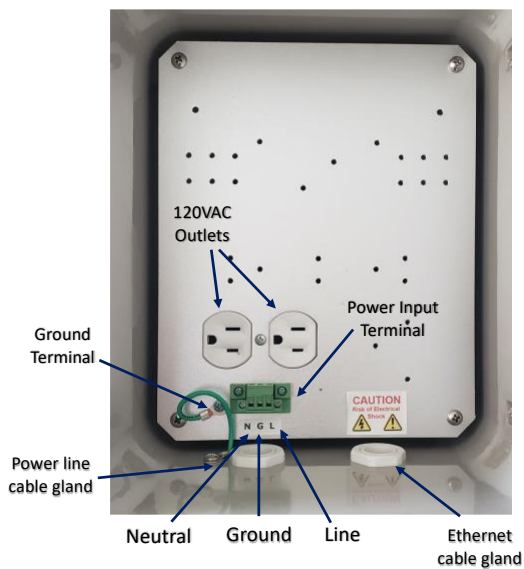
- **Two electrical conduit inputs are required** on the bottom of the enclosure to support this configuration
 - One conduit to house the wiring for the built-in 120V outlet
 - One conduit to house the ethernet cables that can be routed to two Nuvve PowerPort units closest to the communication equipment
- **Conduit size minimum is ¾" for standard install**
- **Standard enclosure** is plastic outdoor NEMA, IP67 Box with Solid Door, Light Gray Finish
 - Length 11.7"
 - Width 9.8"
 - Height 6.8"
- **To be installed within 100 ft radius (line of sight)** from PowerPort units for good Wi-Fi coverage
- **It must be mounted** to a pole, wall, or cabinet near the PowerPort units themselves.
- **Ensure that the installation is properly grounded** (ground terminal is provided)



Picture of standard enclosure

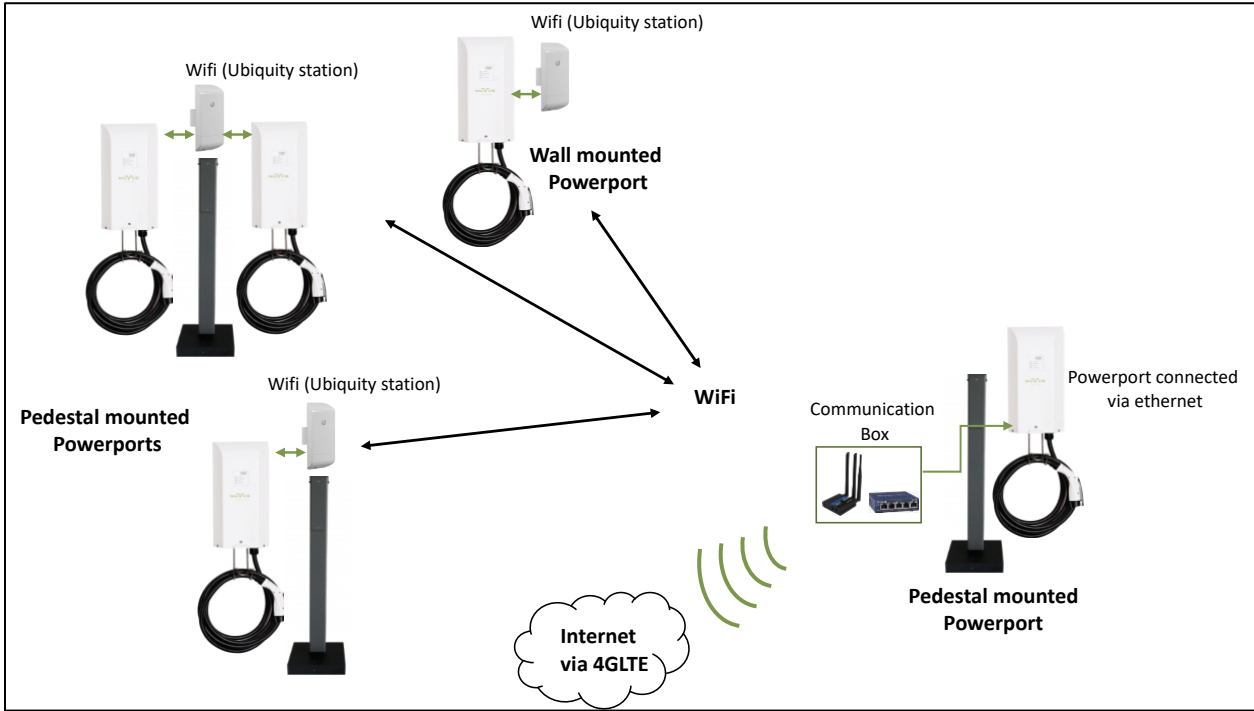


Example of installation with communications equipment



Equipment mounting place and circuit diagram details

Warning: To avoid electric shock, grounding must be completed during installation. The unit must be grounded and installed in accordance with National Electrical Codes (NEC) and any local codes. Note that non-metallic enclosures do not provide grounding between conduit connections.



Network diagram of typical installation