

# Nuvve PowerPort

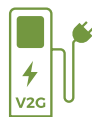
## HIGH-POWER AC CHARGING STATION

The Nuvve PowerPort AC electric vehicle charging station provides fast, reliable, and intelligent charging with up to 80 amps of power. It's the ideal solution for everyone from consumers at home and fleets at the workplace to heavy-duty vehicles such as buses and trucks. The PowerPort is fully controllable through Nuvve's software platform for smart charging.



### KEY FEATURES

- ✓ **UL-CERTIFIED TO 80A;  
ENABLES 19.2KW CHARGE RATE**
- ✓ **ENERGY STAR® CERTIFIED**



#### RELIABLE, HIGH-POWERED CHARGING FOR YOUR ELECTRIC VEHICLES (EVS)

Nuvve's patented V2G GIVE™ technology was developed in 1996 and has been successfully deployed on five continents. The latest generation of the Nuvve PowerPort is now available for the U.S. and European markets.



#### SAVE MONEY

Nuvve's aggregation platform allows you to offset your electricity bills by optimizing both the charging rates and the time you charge your vehicle to coincide with non-peak hours.



#### MANAGE YOUR CHARGING

Use the Nuvve on-the-go management app to plan trip schedules, set minimal charge levels, and trigger emergency charging, all in the convenience of a mobile or browser-based app.\*

\* Coming soon to U.S. markets.

# PowerPort Technical Specifications

MODEL #	EVSE-B-P1-H1
Phase	Single
No. Connectors	1
Connector Type	J1772/IEC 62196 Type 1
Cable Management	Cordset Hanger
Dimensions	Inches: 21.8 H x 10.4 W x 4.1 D Millimeters: 554 H x 264 W x 105 D
Weight*	29 lbs. / 13.15 kg

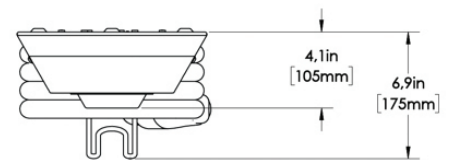
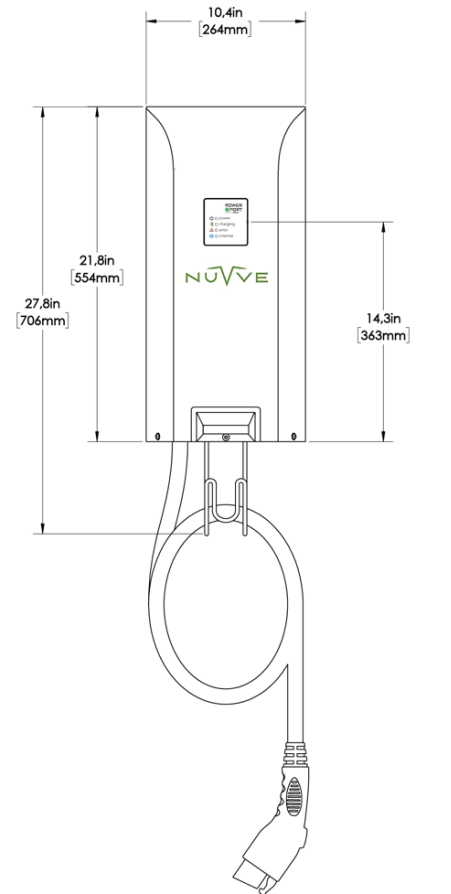
\* Weight of enclosure + 20'(6.1m) / 80A-rated charging cable

POWER REQUIREMENTS	EVSE-B-P1-H1
Current Capacity	Up to 80A
Voltage Compatibility	100 to 240 VAC
Maximum Output	19.2kW
Station Standby Usage	3.11W
Frequency	50Hz/60Hz

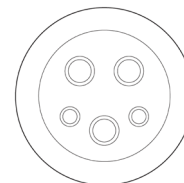
\* Capacity at maximum compatible voltage

CODES & STANDARDS	
North American Regulatory Compliance	<b>Certified:</b> CSA 22.2, CSA 94.2, CSA 280-16, CSA 281.1, CSA 281.2, UL 50E, UL991, UL 1998, UL 2231-1, UL 2231-2, UL 2594 <b>Compatible/Compliant:</b> (FCC Part 15, Class B), NEC 625, SAE J1772
International Regulatory Compliance	CE, EN 61000-6-1, EN 61000-6-3, EN 61851-1:2017, EN 60529
Enclosure Rating	NEMA 3R, IP54, IK10
Metering	Utility grade
Communication Protocols	PWM
Operating Temperature	-30°C to 50°C
Relative Humidity	5% to 95%
Air Pressure	86kPa to 106kPa

NETWORKING	
Ethernet Connection	RJ 45 (Standard)
LAN	2.4 GHz Wifi option
WAN	3G/LTE, 4G/60Hz option



## EVSE-B-P1-H1 CONNECTOR



J1772 / IEC 62196 Type 1



All product specifications as of August 2021 and are subject to change. Please contact Nuvve for updated information.

© 2021 Nuvve Holding Corp. All rights reserved. Version 10.0. ENERGY STAR and the ENERGY STAR mark are registered trademarks owned by the U.S. Environmental Protection Agency.