

PowerPort Pedestal Assembly Manual

ITEM NO.	DESCRIPTION
1	Base Plate - 3/8" Stainless Steel Plate
2	60 in Square Tubing - 7ga 304 Stainless Steel, Mill Finish
3	Square Plug
4	Nylon Liquid Tight Threaded Plug - $\varnothing 1 - 1/4"$
5	Circular Plug - 2.5"
6	Nylon Liquid Tight Threaded Plug - $\varnothing 1/2"$
7	Zinc-Plated Steel Heavy-Duty Rivet Nut

ITEM NO.	DESCRIPTION
1	Mounting Plate - 11 ga 304 Stainless Steel Plate
2	10-32 Stainless Steel PEM Studs
3	Locking Grommet
4	18-8 SS BUTTON HEAD HEX DRIVE SCREW
5	10-32 SS, FLANGED LOCK NUT

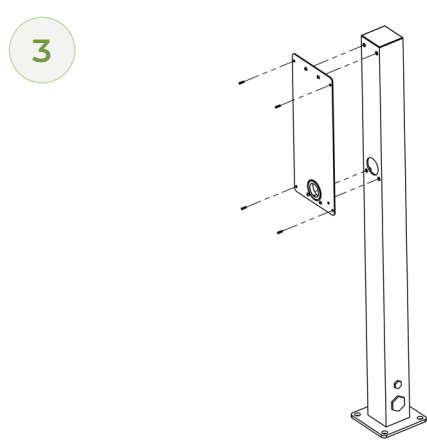
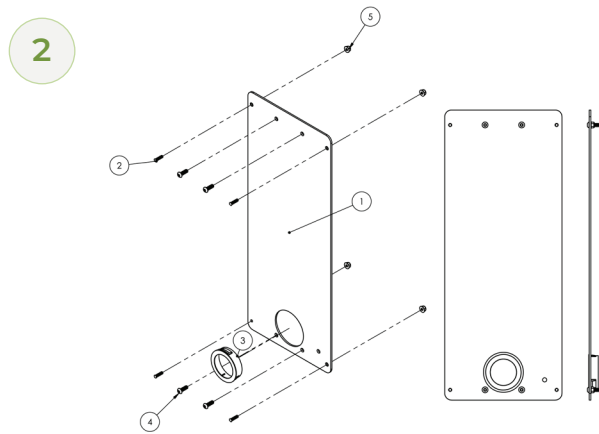
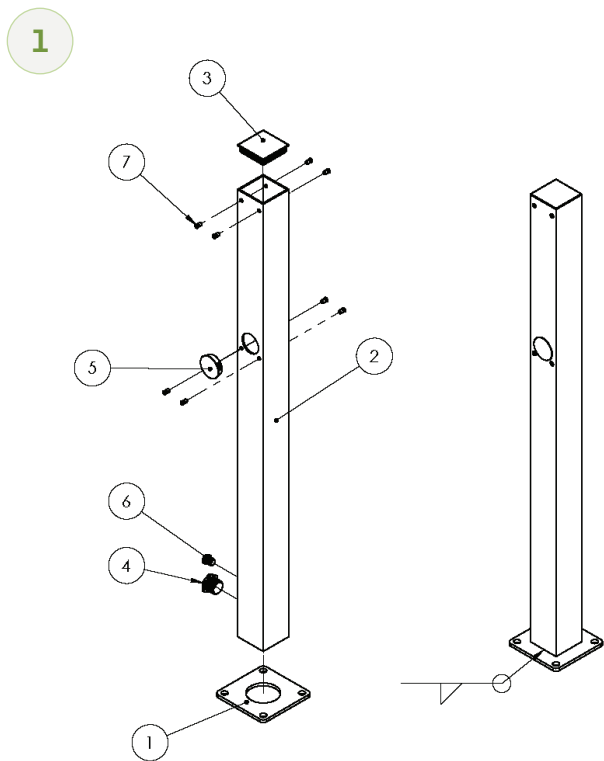


PLATE AND PEDESTAL CONNECTION

Note: Mount the base plate onto concrete. Run conduit up through the bottom of the pedestal up to the PowerPort.

